

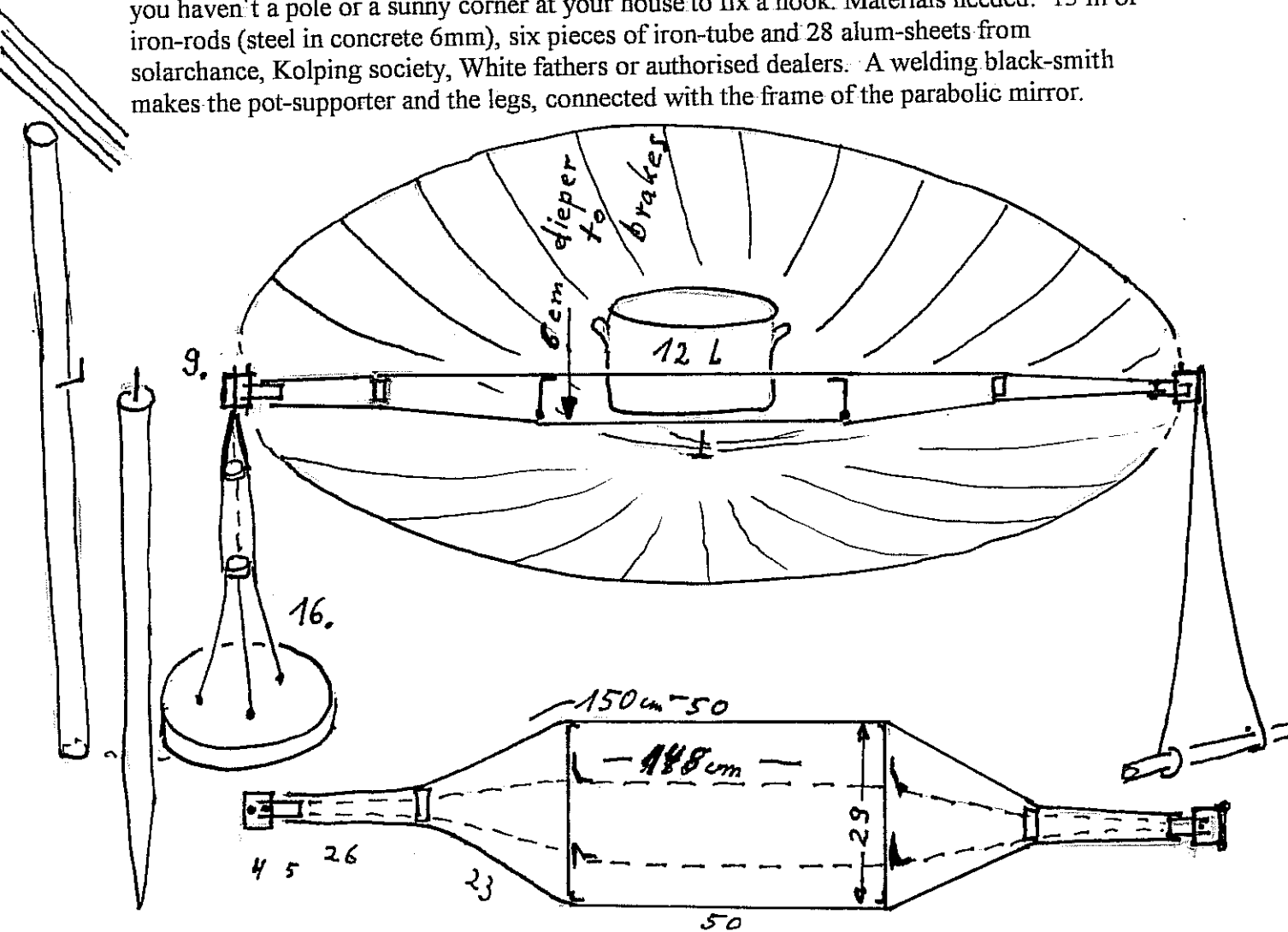
Solar cooking - a chance for you and the sun.

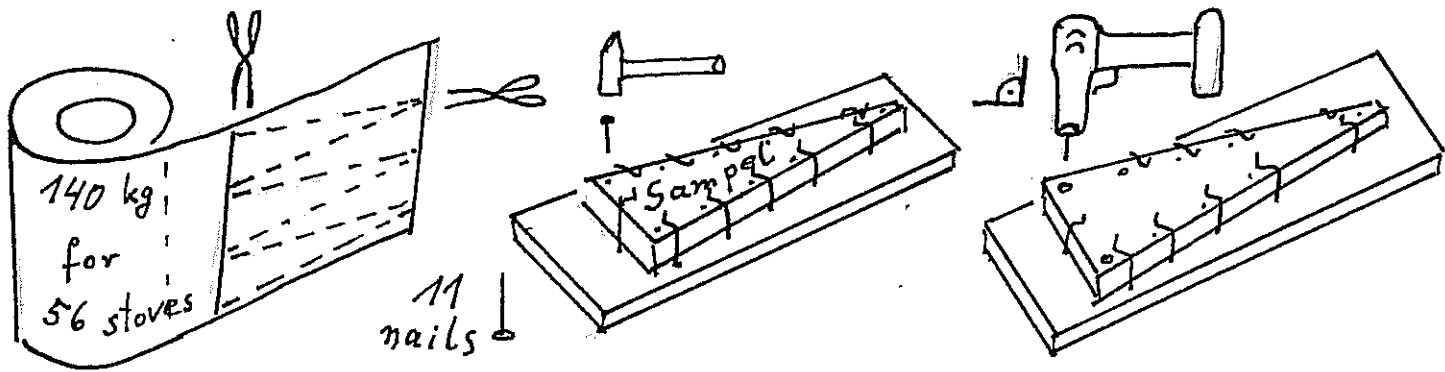
The first parabolic cooker, made in appropriate technology

A single- or double spinning-solar cooker, specially made for the women of sunny countries
Extremely light (6 kg for SC 14) and easy to handle, quickly put up without screws.
Heat of 250°C immediately. No bucking, no dirty setting of fire, no smoke in the eyes, no ash,
- allows you to start a new lady-like way of living. There is no cooking in darkness necessary
if you use one or two hay-baskets with a 10 cm-layer of wool for isolation. The food
continues cooking without control for the last quarter of time and can be served any time later
in darkness. Two brakes are integrated in the frame, to adjust the sun-collector most easy.
You or a child watches the indicator outside the mirror without dazzling your eyes.

This my invention in 2003 is very economical and environment-saving, no wood, gas or
cerosin is required, and it's fabrication provides good jobs and makes the user early involved
and accepted. A 56-cocker roll of sheets, inside ceases, screws, samples and plans make
lowest prices of about 40 € possible, if not subsidised.

The women get more self-relyend in terms of money, time and independence.
She does not have to fear snake-bites in the bush (bush-firer not needed anymore), the police
for cutting green sticks, and a paining back and neck already as a young wife. She pays no
more for wood-traders and obtains a lot of time every day to do more ingenious work.
There is no more work in kitchen in darkness; her family can get her full attention.
A new transparent lid of foil (4=0, 5 €) ensures heat-penetration from all sides, so that
steering isn't needed anymore. Stews; meet, jams or bread- no sticking at bottom accurse. If
teaset should be pounded, you put the cooking pot off the supporter. This spinning cooker can
be extended to a double spinning solar cooker for two pots. A centre-stand can be rented, if
you haven't a pole or a sunny corner at your house to fix a hook. Materials needed: 15 m of
iron-rods (steel in concrete 6mm), six pieces of iron-tube and 28 alum-sheets from
solarchance, Kolping society, White fathers or authorised dealers. A welding black-smith
makes the pot-supporter and the legs, connected with the frame of the parabolic mirror.





1. 2 iron steel bars 6 mm-1,5m and 1,48m for the pot-supporter and 2 for the frame each 3,2m. coiled different for the brake and stabilised by 2 welded sticks
2. 4 pieces of an iron-pipe, each 3,5cm and 3 -4 cm in diameter, 2 pipes of 4cm inside. 4 pieces of wire, tightened after diameter of frame is determined by 14 sheets (1-14)
3. Mirror brake engaged, a useful handle to carry.
4. Paint it, as protection of rust before the mirror is fixed to the frame.
5. Remove the foil before assembling one right one left; use a long centre-screw.
6. Screws at frame are used later on together with 28 alum-strips, foils remain inside.(2,6 cm)
7. All screws are not tightened; leave a gap of 1 mm; use sticker or a player to fix.
8. A removable pair of legs is welded to that brake-pipe, stabilised to avoid shaking. The other
9. Brake is drilled twice, for a fixing-nail and a stand-pin or hook to avoid shaking.
10. Indicator outside fixed here, light falls through a hole some 5 cm. higher.(drill or nail) adjust it; hold your hand round a smaller pot and check beams going out beside equally.
11. All pots pans and backing-boxes should be black and matte outside, to avoid reflecting. Use heat-resisting paint or avoid any cleaning outside-burn oil with loam and coal-powder outside.
12. Use sun-glasses in the first weeks; keep off children who watch the light in the mirror.
13. Use warm soapy water to clean and soft rags or papers to dry the mirror-sheets.
14. Avoid droppings on the mirror by towels and turning over-head, when asses are needed.
15. Secure and quick storing indoors at the ceiling or wall by one person; use simple hooks!
16. A firm stand of concrete and a welded tower of quarter-rots (80 cm), wind must not fall it.

